

A First Aid Kit of the Future

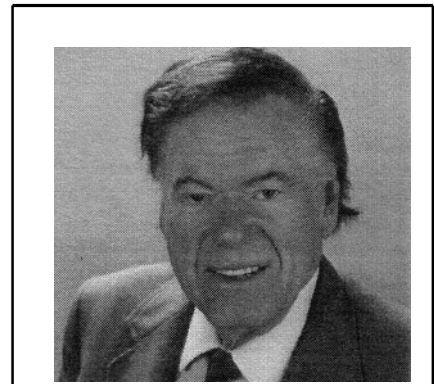
The

BECK PROTOCOL

**Articles from Bob Beck's original
"Take Back Your Power" papers.**

**Letters from people who have
been helped using The Beck
Protocol.**

**The Brain Tuner: Excerpts from a
talk given by Bob Beck in 1983.**



Robert C. Beck, D.Sc.

**"A Radical, Safe, Proven and Inexpensive Approach
to Health Using Microcurrents of Electricity"**

Take Back Your Power

A Proposal for Health Researchers*

by Robert C. Beck, D.Sc.

Revised November 2004

This research paper is based on laboratory experiments reported by researchers at a leading university proving that pathogens—viruses, bacteria, fungi, moulds ... are neutralized by microcurrents of electricity.

Since 1897, at least 20 patents have been filed related to electro-therapy devices.

Since 1991, researchers have been reporting the health benefits of:

- 1) Using micro-currents of electricity for *in-vivo* (non-intrusive) blood electrification, and/or
- 2) Applying a time-variant pulsed kilogauss magnetic field on the lymph system and/or;
- 3) Ingesting ionic/colloidal silver and/or
- 4) Drinking freshly ozonated water.

Despite escalating feedback from health researchers about the success of this technology in regaining health from debilitating diseases, there is no funding source for formal research projects.

This paper includes information on how to build your own devices to theoretically neutralize pathogens *in-vivo*.

Bob Beck's papers are presented to spur further research using this technology. These devices should be considered experimental. They are not a panacea as lifestyle choices are also a major factor in determining health. Researchers must take full responsibility for their experimentation with this technology.

* Health Researchers include:

- 1) Health professionals who respect & work with individuals who take responsibility for their health and
- 2) Individuals who take complete responsibility for their health.

"Most men occasionally stumble over the truth, but most pick themselves up and continue on as if nothing had happened"
— Winston Churchill

This literature has not been evaluated by the Food and Drug Administration in the U.S. or Health Canada. The Beck Protocol is not intended to cure or treat any specific disease.

Government regulators state you must consult a medical doctor for the treatment of any disease.

© 2002 Sharing Health From the Heart Inc.
www.sharinghealth.com

Printed in Canada

TABLE OF CONTENTS

	Page
Overview of the Beck Protocol	1
Introduction to Research	3
Blood Electrification ... Summary	4
Exact Means and Methods to Help Maintain or Regain Health	5-6
Code of US Federal Regulations	6
Chronic Diseases Linked to Viruses and Bacteria	7
Blood Electrification & Colloidal Silver	9
<i>Science & Vie</i> Article & List of Patents	11
Magazine & Newspaper clipping	12
Excerpts from Patent #5,188,738	13-14
A Proposed Experimental/Theoretical, Non-Invasive, Non-Pharmaceutical, In-Vivo Method for Rapid Neutralization of HIV Virus in Human Subjects	15-16
Improved Schematic for Blood Electrification Unit with Colloidal Silver	
Output and Circuit Description and Parts List	17-18
Location of Preferred Sites for Blood Electrification	19
Original Schematic and Parts List	20-21
Expanded Instructions for ... Blood Electrification	22-23
Pictures of Electrode Preparation and Placement	24
Total Cancer Remissions	25-26
Blood Electrification—The Easy In–Vivo Way	27-28
Recommended Suppliers	28
Making Your Own Ionic/Colloidal Silver	29
Currently Preferred Silver Colloid Making	31-32
A Few Unique Plus Traditional Uses for Silver Colloid	33
"Banishing Disease with Three 9–volt Batteries" by Mark Metcalf	34-36
Form of Colloidal Silver Used by Soviets as Antidote for Germ Warfare	37
Magnetic Pulse Generator	39
How to Build and Suggestions for Lymph and Tissue Neutralization	41-42
Location of Lymph Nodes and Organs for Magnetic Pulsing Sites	43-44
Water Ozonator	45
Ozone Revisited and Ozone Generator Design	47-48
Quick Summary—The Four Protocols	49
Background Information: Robert C. Beck, D.Sc.	50
Appendix: Testimonials Letters	51-62
The Brain Tuner: Excerpts from a 1983 Lecture by Bob Beck	63-86

Overview of the Beck Protocol

An Introduction to my Research

© Copyright April 8, 1998 by Robert C. Beck, D.Sc., USA - Revised August 2000

I Believe the amazing breakthrough you'll read about in the following pages is proving to be the most important medical discovery in decades - or perhaps ever.

I Believe that anyone using this knowledge will be freed from sickness, infections, diseases and toxins, the third most common cause of all casualties in the US and the first cause of deaths in the third world.

I Believe this tested and true information has the potential to release a person from dependency on doctors, pharmaceuticals, medicines, and hospitals. This technology also has the potential to release us from threat of incurable diseases and biological warfare agents. Even cancer disappears when interleukin and interferon are again produced by a restored immune system.

Yet experience shows that 85% of the population will ignore, disbelieve, or vigorously resist these data: they're too simple, cheap, effective and revolutionary. This also requires assuming responsibility for your own health. You'll see why this dynamite truth must be suppressed to preserve multinational corporations.

What is it? It's now scientifically established that mild, safe and simple electrification neutralizes bacteria, germs, viruses, parasites, pathogens, fungi and other foreign invaders in blood. Results are rapid, dirt cheap, comfortable and without side effects. Medical "cures" once strove to match expensive antibiotics to the few germs they killed before many diseases evolved as strain-resistant. Today's new paradigm is harmless, infallible, and hasn't encountered any resistant micro-organism. Unlike antibiotics and vaccines and their targets, you don't even care what anything is called medically.

How? Average adults have eight pints of blood harboring trillions of hostile pathogens and viruses, plus their mutations—the progeny of thousands of invaders. Your blood normally circulates past a given point in under nine minutes. So when you attach electrodes directly outside arterial pulse points on one wrist, a gentle biphasic electric stimulus applied for a few hours introduces a comfortable 50 100uA (microamperes) into your flowing

blood without puncturing skin. Techniques developed since 1991 (Beck) have enabled hundreds of previously sick and dying subjects to regain health and become symptom free. Previous sufferers from numerous other conditions are now well again. Many had undergone every medical treatment known with no cures. Electrification, rediscovered and reported many times over the years, has been mentioned briefly in journals since the 1800's then suppressed or disbelieved. Electrification's most recent rediscovery was in 1990 at Einstein College of Medicine by Kaali and variations re patented. (Example: US Patent #5,188,738 in 1993).

My research shows everything necessary to take back your power and free anyone from slavery to disease. If you choose to build your own device for electrification, there's nothing else to buy besides a few electronic parts which should last indefinitely. After that the only cost is for replacement batteries. Excellent professional instruments are offered by several ethical manufacturers if you're in a hurry or can't build your own.

An obvious problem is this could decimate hospital, pharmaceutical, doctor, and "health care" incomes. "A patient cured is a customer lost." Also it could overload Social Security rolls with healthy citizens over 65. It restores health and "well being ness" to anyone who applies it correctly. Combined with Kilogauss magnetic pulsing of lymph and organs to induce back e.m.f. which scavenges latent and germinating pathogens, and silver colloids to control secondary and opportunistic infections, plus detoxification with ozonated drinking water, this is proving to be one of the best ways to stay healthy in the 21st century. Full instructions and easy plans for building your own devices are available.

Although not destined to be "politically correct" except in the underground, and generally doubted by skeptics who haven't tried it or are threatened, you can easily use this data to heal yourself and your friends. It may never be approved by the FDA. But hundreds of fully recovered patients who've used electrification are today's living proof that IT WORKS! *I personally have nothing to gain from this.*

This research is offered for Educational Research and Informational Purposes only... not intended as Medical Advice!

Blood Electrification ... A Proven Protocol?

Abstract/Summary

January 12, 1997 Copyright ©1997/98 Robert C. Beck, D.Sc.

Climaxing centuries of medical research, an "accidental" re-discovery at Albert Einstein College of Medicine in 1990 resulted in a reliable, positive, reproducible and recently patented (U.S. #5,188,738) protocol to help deal with diseases including AIDS, cancer, gulf war syndrome, biological warfare plagues plus emerging viruses. Essentially it consists of passing microcurrents (50-100 uA) through flowing blood, which has the potential to eliminate infections and is proven to restore damaged immune systems. This appears to have been suppressed because electromedicine instead of pharmaceuticals drastically limits profits and re-empowers patients' sovereignty over all diseases. Strangely, it was never again mentioned except in *Science News*, March 30, 1991, pg. 207. The only cost to try this research is the cost of parts to build your own instruments or to purchase them from a reliable source.

Hundreds of thousands of men, women, and children receiving state-of-the-art medical care die traumatically and financially stressed *every* year with "incurable" diseases. But this breakthrough consisting of mild electrification of blood while still in the body is proving for some to be reliable, simple, rapid, highly effective and inexpensive. It requires no medicines, pharmaceuticals, or outside intervention. It can be used privately and gives people back to themselves. It is vastly superior to antibiotics and other known treatments, since electrification when properly applied has no side effects. Lifestyle changes to improve health are, of course, important as well.

Cancer treated by currently acceptable allopathic techniques (surgery, radiation and chemotherapy) costs an average of \$375,000 but patients seldom survive five years. With self-administered electrification, typical costs are under two hundred dollars. An optimally functioning immune system has long been known to eliminate cancer, yet cancer is generally treated as a separate disease. Electrification in the laboratory is secretly proven to work with a variety of diseases and no "antibiotic" or "charge-resistant" strains of infectious invaders or side effects are yet known to exist. But you may never see electrification mentioned in a politically correct or establishment-

serving media. Results would be too fast, cheap, revolutionary and user-attainable. The adaptation of this laboratory research for use by individuals is now yours to try.

The author has spent several years researching all aspects of electrification and can suggest do-it-yourself apparatus and simple techniques which have the potential to safely eliminate pathogens, bacteria, virus, parasites, fungus, and germs which devastate health and are immune system destroyers. Many previously dying patients have come forward now completely well and symptom free. *Anyone* can do this for himself if his unconscious death-wish agendas or disbelief in new discoveries or blind faith in the medical establishment are overcome. If the user assembles his own system from scratch, everything should total about \$50 minimum up to \$450 maximum depending on which devices you make for this one-time investment. If working instruments are purchased from manufacturers, this cost could be more. Everyone using electrification should experience some health benefits immediately, even if not knowingly afflicted.

All four synergistic and essential elements are fully described. They are:

- (1) Building or acquiring a functioning battery-powered blood electro-purifier that attaches externally to the Radial and Ulnar artery pulse points on one wrist. Suggested use is for a **minimum** of four to twelve weeks with daily electrification of two hours.
- (2) A very simple and inexpensive instrument for making any quantity of Ionic Silver Colloids for pennies ensuring help with the immune system.
- (3) A high—intensity magnetic pulser which destroys any residual germinating or incubating pathogens in lymph and other organs by inducing back e.m.f. in tissue consequently preventing self re-infection.
- (4) An ozone generator easily made with tropical fish store components to charge drinking water with O₃. Ozone comfortably detoxifies by oxidation any wastes which the body must eliminate to regain health.

Exact Means And Methods to Eliminate Infectious Viruses, Bacteria and Other Pathogens to Help Maintain or Regain Health

Copyright © 1998 Robert C. Beck, D.Sc. March, 1999

The complete process is described here in detail to allow anyone to successfully achieve recoveries and insure that the currently proven methods will never again be "lost" or suppressed.

What You Do

- 1) Blood electrification for a minimum of 2 hours per day for a minimum of four to twelve weeks. Apply salt-water moistened electrodes over Ulnar and Radial , arteries on opposite insides of same wrist. A Velcro and elastic strap holds electrodes in place. You must electrify blood for two hours every day for at least four to twelve weeks. This should not interfere with other activities. As your blood circulates normally, enough will be flowing along this path in the forearm until most blood in your body is eventually treated by the 50 to 100 microampere current flowing internally. About 3 to 5 milliamperes is necessary at the skin to overcome resistive losses through tissue before current reaches blood.
- 2) Drink 3 to 5 ppm self—made Ionic Silver Colloid daily. Costing under 10 per gallon, colloids are shown to easily control opportunistic infections. This helps your immune system.
- 3) Apply your magnetic pulse generator for a minimum of 20 minutes daily by positioning and pulsing coil over lymph nodes and internal organs. Pulse each time it recharges at several second intervals. Pulses of high intensity time—varying magnetic flux generate a measurable back e.m.f. in adjacent tissue thus neutralizing any residual germinating and incubating pathogens. Without this step, sufferers have been known to sometimes re—infect themselves. Conventional *permanent* magnets cannot be substituted for this purpose.
- 4) Drink as much ozonated water as you can comfortably ingest daily. You must generate fresh ozone yourself each time and drink immediately since O_3 has a half-life of only a few minutes. All known pathogens and cancers are anaerobic. O_3 aids their elimination by oxidation and speeds your detoxification and recovery with no discomfort. Consuming O_3 water flushes pathogens, wastes and toxins from your system.

THESE FOUR STEPS WORK SYNERGISTICALLY AND SHOULD BE USED TOGETHER.

A TECHNICAL EXPLANATION OF EACH UNIT FOLLOWS:

How to Do This and Why

1) *The blood electrifier* and ionic silver colloid maker are usually combined in one small plastic box typically $3\frac{3}{4}$ X $2\frac{1}{4}$ X 1 inch (cigarette pack size) containing one outlet for wrist electrodes and a second for colloid making. A single 9V transistor radio battery drives a voltage tripler, and a single-IC-chip switches the 27-33V from negative to positive 3.92 times each second. A biphasic square wave with sharp rise-time output is fed to a 3.5 mm jack connecting to two $\frac{3}{32}$ " stainless steel or gold—plated electrodes 1" long each covered with two layers of 100% cotton flannel saturated with diluted salt water. A potentiometer allows users to adjust output until comfortable. Red and green LED's show polarity reversal (essential for safe blood electrification) and overall system functioning. A grain-of-wheat lamp indicates current flow when making ionic colloid. Precise electrode locations are determined by carefully feeling arterial pulse points on opposite insides of same wrist and positioning saturated electrodes precisely along the paths where arteries come closest to surface. Locations are critical, since the objective is to supply maximal current into blood and not waste it in surrounding flesh. Typical impedance measured from electrode—to--electrode may be as low as 2000 W. Adjust output for strongest comfortable level. Schematics, parts lists and instructions for a three 9 V battery design are detailed in this paper. Anyone can build his own system; you need nothing except replacement batteries. However commercially available systems are inexpensive, reliable, and are useable immediately.

2) *Ionic silver colloids* of excellent quality and freshness are easily user—made as follows: Pure silver (.999) or better yet, .9999 (4 Nine) 14 gauge (0.064" dia.) electrodes providing anode and cathode about 8" long, are immersed in distilled water. Some prefer "golden" colloids, easily made by heating 2 cups of distilled water to the boil in a non—metal container. Immerse

silver wires and activate the 27-33 Volt DC output for –15-20 minutes to produce 3 to 5 ppm. The colloid will probably be clear but if run longer will turn a golden yellow. Stir every few minutes. Store silver ionic/colloidal silver in dark brown bottles. Keep out of light and do not refrigerate.

[If using a manufactured unit with Constant Current, it is not necessary to heat the water for conductivity. Follow the manufacturer's instructions to make a high quality ionic/colloidal silver.]

3) **Magnetic Pulser:** This extremely useful tool neutralizes active, hibernating or incubating pathogens being normally processed in lymph, spleen, liver, skin, kidney, stomach muscles and other tissue. It is easily made by purchasing or winding a –2.5 millihenry coil and driving it with a –35 to 70 Watt-Second (Joules) electronic flash or "strobe" (A Joule is 1/2 CV² where C is in microFarads, mF or mfd., and V is in Volts.) A self-wound inductance of –130 T #14 or 16 AWG, plain enameled magnet wire works well. A 2.5 mH audio speaker cross-over coil is prettier. The coil is simply wired between one electrode of the strobe flash lamp and it's capacitor.

The device, if self-made, costs approximately \$100 and is vastly more powerful than \$5000 to \$7000 commercial devices of far less measurable power. The open coil kicks a steel washer several feet into the air when pulsed thus showing the invisible energy going into your body during use. A typical finished device tests 600 mfd. 330-350V, 36.75 W*S, 43,133 Gauss, 150 Amperes peak, 40,500 Ampere Turns pulse rise time –1.8 microseconds, pulse duration –2.5 millisec-

onds, penetration –9" in tissue. Along with it's ac power supply it fits in a box 3 3/4 x 4 1/2 x 11 with an external applicator coil 2 3/4" dia. x 1 3/8" thick on a 4' cord.

4) **Ozonized Drinking Water:** Before adding this final step to the "magic four", we had some very uncomfortable people while they were detoxifying. By *drinking* ozone-charged water, some of the benefits of ozone use such as insufflation (O₃ enemas), autohemotherapy, O₃ injections and blood bubbling, Oxygen Bars and Hyperbaric Chambers are enjoyed and made simple and inexpensive. Tanks of "medical oxygen" (identical to welding oxygen) require medical prescriptions. Ozonized water is made from oxygen in ambient air and costs nothing.

MAKING YOUR OWN: You can purchase ozone generators legally in tropical fish (aquarium) stores. Preferred is the 200 mg/hour stainless steel Sander (brand) ozonizer used with an aquarium aerator pump. (Avoid models using aluminum, metal or ceramic i.e. alumina ozone electrodes.) Air, pumped through a bubble-making "stone," is passed through chilled water. Depending on the strength of the ozone maker you buy, water becomes "saturated" in a few minutes and must be drunk immediately. You can see an increase in % blood oxygen saturation which often reaches 100% within minutes. Be aware that ultra-violet although cheaper is not as effective as a good quality, cold-corona high voltage ozonizer. Construction and use is fully explained in this paper.

CODE OF FEDERAL REGULATIONS 21 § 807.65 Subpart D – Exemptions, Paragraphs {d} & {f}
Excludes and exempts from regulation:

"(d) Licensed practitioners, including physicians, dentists, and optometrists, who manufacture or otherwise alter devices solely for use in their practice."

"(f) Persons who manufacture, prepare, propagate, compound, or process devices solely for use in research, teaching, or analysis, and do not introduce such devices into commercial distribution."

Use of this device therefore appears legal and exempt from FDA regulations when you construct it yourself for research and/or use in your own practice! But double check your local, county and state regulations for possible exceptions.

WARNING: *If you are ill with AIDS or your immune system is seriously compromised and you choose to try this program, it is advisable to work with a knowledgeable holistic health practitioner. If your symptoms clear and you stop the program prematurely (after only the minimum schedule) your symptoms may return worse than ever. It is important to continue the program for an extended period to ensure the immune system has an opportunity to regain the necessary strength and deal with the toxins and pathogens that must be expelled*

Government regulations state you must consult a medical doctor for any disease.

CHRONIC DISEASES LINKED TO VIRUSES AND BACTERIA

On April 22, 1999, "Spreading a New Idea on Disease," an article by Thomas H. Maugh II, appeared in the Los Angeles Times. Maugh, the Times Medical Writer, stated:

**"Mounting evidence may link viruses and bacteria
to everything from gallstones to Alzheimers'."**

The article included the following quotes:

"At a time when much research focuses on the genetic underpinnings of disease, researchers say, it is time to take a fresh look at how an old foe — infections — can interact with genes to produce chronic disease. ...

"Already bacteria and viruses have been firmly linked to ulcers, liver cancer, cervical cancer, leukemia and Kaposi's sarcoma. Strong evidence is also unfolding for other diseases:

- Epidemiologists have found that a majority of heart disease patients have been infected with a common bacterium and Canadian researchers recently reported a mechanism by which it could trigger heart disease. Some researchers suspect that as many as 80% of all cases of heart disease are linked to infections.
- Pennsylvania scientists have found the same bacterium in the brains of patients with Alzheimer's disease.
- Finnish biologists have strong evidence that a previously unrecognized bacterium can produce kidney stones.

More tentatively, other researchers have linked infections to a broad spectrum of diseases, ranging from Crohn's disease and irritable bowel syndrome to obsessive compulsive disorder, schizophrenia, multiple sclerosis and arthritis ..."

"My gut feeling is that the more we look, the more we are going to find microorganisms that have taken up residence in the human body," said biologist Hal B. Nash of Western Wyoming College. "Some may not be doing any harm, but others may be doing quite a bit."

Why shouldn't the headlines read?

**MICRO CURRENTS OFFER PROMISING TECHNOLOGY
TO RESTORE HEALTH!**

**BLOOD AND TISSUE ELECTRIFICATION COULD PROVE TO BE A STARTLING,
RAPID, INEXPENSIVE AND SAFE DISCOVERY FOR REMISSIONS.**

**MEDICAL BREAKTHROUGH NOW OFFERS ANYONE THE OPPORTUNITY TO
DO THEIR OWN HEALTH RESEARCH WITH A
SIMPLE ELECTRONIC DEVICE.**

Blood Electrification and Ionic/Colloidal Silver

"White cells (leukocytes) kill bacteria and pathogenic fungi by electrocuting them. Discovered by Jacques Schrenzel and Karl Heinz Krause, Geneva University Hospital, Switzerland, this defense mechanism is triggered as soon as receptors of the white cell detect the microbe's presence. This signal activates an enzymatic system on the leukocyte's membrane, composed of a "sleeping" enzyme (NADP II oxidize)

and co-enzyme (NADP II), the reaction begins by the enzyme "waking up", receiving electrons from its co-enzyme, and transporting them through the membrane. Ejected out of the white cell, this electronic flux is focused toward the bacteria with oxygen molecules and the microbe dies. This discovery might open new lines of research on immunity deficiencies in patients who are deprived of this enzymatic system."

Translated from Science & Vie, Issue #972, September, 1998 page 44.

Telephone: 01-46-48-48-48 and Fax: 01-46-48-48-67

**Looking at this totally as a "physics" or "engineering" problem, a few structured electrons can act as the equivalent of trillions of white cells and restore function to one's immune system!
The electrons cost pennies.**

US Patents

Amazingly similar discoveries have been made by scientists and are a permanent record in the US Patent Office since the 1880's. Why don't we know of these? Many work far more effectively than expensive antibiotics and have no side effects and practically no costs.

Since the Abraham Flexner propaganda funded by pharmaceutical company owner John D. Rockefeller in 1910 eliminated electromedicine from accredited medical universities, researchers have not pursued breakthrough discoveries. They are usually discredited. Instead the public spends billions of dollars annually with "medicines" that may create more side-effects than the original symptoms.

Here is a condensed reference list of US Patents which professional researchers may find interesting:

I Direct application of electricity to kill or attenuate microorganisms in liquid.

- | | |
|-------------|----------------|
| 1) Kaali | 5,188,738 |
| 2) Kaali | 5,139,684 |
| 3) Lathrop | 5,133,352 |
| 4) Ellis | 4,019,510 |
| 5) Myers | 3,753,886 |
| 6) Jones | 592,735 (1897) |
| 7) Dawson | 3,965,008 |
| 8) La Comme | 672,231 (1901) |

II Applications of Magnetic Fields to Kill or Attenuate Micro-Organisms.

- | | |
|--------------|-----------|
| 1) Hofmann | 4,524,079 |
| 2) Middleton | 5,645,697 |
| 3) Forrest | 5,248,437 |

III Application of Magnetic Fields in the Treatment of Cancer.

- | | |
|-----------|-----------|
| 1) Costa | 4,665,898 |
| 2) Liboff | 5,437,600 |
| 3) Gordon | 4,106,488 |
| 4) Gordon | 4,303,636 |
| 5) Gordon | 4,622,952 |

IV Application of Electricity and Magnetic Fields to produce other Biological Effects.

- | | |
|------------|----------------------------------|
| 1) Cadossi | 4,683,873 (Fuse Bone) |
| 2) Ryaby | 4,266,532 (Modify Cells) |
| 3) Findl | 4,428,366 (Reduce Serum Glucose) |
| 4) Chang | 4,822,470 (Cell Electroporation) |

LONGEVITY/DECEMBER
1992, Page 14

OUTER LIMITS
**ELECTROCUTING
THE AIDS VIRUS
A SAFER-YET BLOOD
SUPPLY**

Despite official reassurances about the safety of the nation's blood supply, concern lingers that small amounts of HIV—infected blood may be sneaking through, especially since current screening detects only antibodies to the virus, which can take months to form. But now a new electrical process for cleaning blood of viruses may solve the problem.

At the Albert Einstein College of Medicine in New York City, Steven Kaali, M.D., has found that most of the AIDS viruses in a blood sample will lose their infectious capability after being zapped by a very low—level current. Repeated exposure appears to leave blood virtually free of HIV, as well as hepatitis—without harming blood cells.

Kaali cautions that it will take years of testing before a virus—electrocuting device is ready for use. But, ultimately, he predicts, it could be used not just to purify blood, but to treat people with AIDS, by channeling their blood out of the body, exposing it to virus—killing current and then returning it. "By lowering the viral count," he says, "we may be able to lengthen and improve the quality of AIDS patients' lives."

—Sharon McAuliffe

MARCH 30, 1991 Page 207

Biomedicine

Shocking Treatment proposed for AIDS

Zapping the AIDS virus with low—voltage electric current can nearly eliminate its ability to infect human white blood cells cultured in the laboratory, reports a research team at the Albert—Einstein College of Medicine in New York City.

William D. Lyman and his colleagues found that exposure to 50 to 100 microamperes of electricity—comparable to that produced by a cardiac pacemaker—reduced the infectivity of the AIDS virus (HIV) by 50 to 95 percent. Their experiments, described March 14 in Washington, D.C., at the First Inter—national Symposium on Combination Therapies, showed that the shocked viruses lost the ability to make an enzyme crucial to their reproduction, and could no longer cause the white cells to clump together—two key signs of virus infection.

The finding could lead to tests of implantable electrical devices or dialysis—like blood treatments in HIV—infected patients, Lyman says. In addition, he suggests that blood banks might use electricity to zap HIV, and vaccine developers might use electrically incapacitated viruses as the basis for an AIDS vaccine. For scientists working to create contraceptive devices that repel sperm with electricity, the new study also hints at a lifesaving side effect: protection against HIV.

Reprinted with permission from SCIENCE NEWS,
the weekly newsmagazine of science,
copyright 1991 Science Service

A-10 /The Houston Post/Wednesday, March 20, 1991

YOUR HEALTH/MEDICINE

Scientists say electric current may help fight AIDS

REUTER NEWS SERVICE

NEW YORK — Doctors at a prestigious New York medical center are testing a new way to fight AIDS— using electrical energy to weaken the killer virus— and say their first results are encouraging.

Researchers William Lyman and Steven Kaali of the Albert Einstein School of Medicine said Tuesday that initial laboratory tests have shown

electrical current can weaken the virus believed to cause acquired immune deficiency syndrome.

The two men said they plan to move to the next phase of the experiment in April using blood samples from people with AIDS.

If their tests are successful, the researchers hope it could lead to a new way to treat AIDS patients, possibly involving a dialysis—type machine in which

an AIDS patient's blood would be treated with electrical current outside the body.

"What we have done is expose the AIDS virus in laboratory circumstances to electrical current and then incubated the virus with white blood cells susceptible to the virus. We found that the virus became **much more** ineffective," Kaali, a specialist in the medical use of electrical current, said Lyman, an AIDS

researcher and associate professor of pathology at Einstein, likened the new technique to chemotherapy.

"You are not going to get rid of the tumor, but you could get rid of enough of it to help the patient lead a normal life. This is not a cure but a new tool," Lyman said.

He added that the use of electrical energy has no toxic side effect and that a similar technique has been used as a treatment for reducing herpes.



US005188738A

United States Patent [19]

[11] Patent Number: 5,188,738

Kaali et al.

[45] Date of Patent: * Feb. 23, 1993

[54] ALTERNATING CURRENT SUPPLIED ELECTRICALLY CONDUCTIVE METHOD AND SYSTEM FOR TREATMENT OF BLOOD AND/OR OTHER BODY FLUIDS AND/OR SYNTHETIC FLUIDS WITH ELECTRIC FORCES

[76] Inventors: Steven Kaali, 88 Ashford Ave., Dobbs Ferry, N.Y. 10522; Peter M. Schwolsky, 4101 Cathedral Ave., NW., Washington, D.C. 20016

[*] Notice: The portion of the term of this patent subsequent to Aug. 18, 2009 has been disclaimed.

[21] Appl. No.: 615,437

[22] Filed: Nov. 16, 1990

Related U.S. Application Data

[63] Continuation-in-part of Ser. No. 562,721, Aug. 6, 1990, abandoned.

[51] Int. Cl.⁵ B01D 35/06; A61K 41/00

[52] U.S. Cl. 210/748; 128/419 R; 128/421; 128/783; 128/784; 204/131; 204/164; 204/186; 204/302; 210/243; 422/22; 422/44; 604/4

[58] Field of Search 210/243, 748, 764; 128/419 R, 421, 783, 784; 604/4; 422/22, 44; 204/131, 164, 186, 242, 275, 302, 305

[56] References Cited

U.S. PATENT DOCUMENTS

592,735	10/1897	Jones	204/242
672,231	4/1901	Lacomme	204/275
2,490,730	12/1949	Dubilier	204/305
3,692,648	9/1972	Matloff et al.	204/129
3,753,886	8/1973	Myers	204/186
3,878,564	4/1975	Yao et al.	210/648
3,965,008	6/1976	Dawson	422/22
3,994,799	11/1976	Yao et al.	210/321.64
4,473,449	9/1984	Michaels et al.	204/101
4,616,640	10/1986	Kaali et al.	128/130
4,770,167	9/1988	Kaali et al.	128/788
4,932,421	6/1990	Kaali et al.	128/831
5,049,252	9/1991	Murrell	210/243
5,058,065	10/1991	Slovak	128/783
5,133,932	7/1992	Gunn et al.	210/748

FOREIGN PATENT DOCUMENTS

995848 7/1983 U.S.S.R. 210/243

OTHER PUBLICATIONS

Proceedings of the Society for Experimental Biology & Medicine, vol. 1, (1979), pp. 204-209, "Inactivation of Herpes Simples Virus with Methylene Blue, Light and Electricity"—Mitchell R. Swartz et al.

Journal of the Clinical Investigation published by the American Society for Clinical Investigations, Inc., vol. 65, Feb. 1980, pp. 432-438—"Mechanisms of Photodynamic Inactivation of Herpes Simplex Viruses"—Lowell E. Schnipper et al.

Journal of Clinical Microbiology, vol. 17, No. 2, Feb. 1983, pp. 374-376, "Photodynamic Inactivation of Pseudorabies Virus with Methylene Blue Dye, Light and Electricity"—Janine A. Badyisk et al.

Primary Examiner—Robert A. Dawson

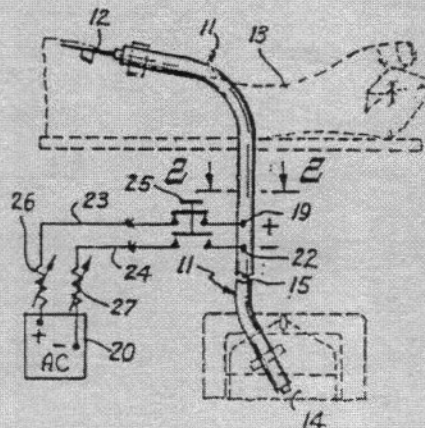
Assistant Examiner—Sun Uk Kim

Attorney, Agent, or Firm—Charles W. Helzer

[57] ABSTRACT

A new alternating current process and system for treatment of blood and/or other body fluids and/or synthetic fluids from a donor to a recipient or storage receptacle or in a recycling system using novel electrically conductive treatment vessels for treating blood and/or other body fluids and/or synthetic fluids with electric field forces of appropriate electric field strength to provide electric current flow through the blood or other body fluids at a magnitude that is biologically compatible but is sufficient to render the bacteria, virus, parasites and/or fungus ineffective to infect or affect normally healthy cells while maintaining the biological usefulness of the blood or other fluids. For this purpose low voltage alternating current electric potentials are applied to the treatment vessel which are of the order of from about 0.2 to 12 volts and produce current flow densities in the blood or other fluids of from one micro-ampere per square millimeter of electrode area exposed to the fluid being treated to about two milliamperes per square millimeter.

31 Claims, 6 Drawing Sheets



ALTERNATING CURRENT SUPPLIED
ELECTRICALLY CONDUCTIVE METHOD AND
SYSTEM FOR TREATMENT OF BLOOD AND/OR
OTHER BODY FLUIDS AND/OR SYNTHETIC
FLUIDS WITH ELECTRIC FORCES

FIELD OF INVENTION

This is a continuation-in-part application of prior U.S. patent application Ser. No. 07/562,721 filed Aug. 6, 1990, now abandoned

This invention relates to novel electrically conductive methods and systems employing electrically conductive vessels provided with electrically conductive surfaces for use in subjecting blood and/or other body fluids and/or synthetic fluids such as tissue culture medium to direct treatment by alternating current electric forces.

BACKGROUND PROBLEM

It is now well known in the medical profession and the general public that blood collected in a blood bank from a large number of donors may be contaminated by contaminants such as bacteria, virus, parasites and/or fungus obtained from even a single donor. While screening of donors has done much to alleviate this problem, the screening of donors can and does miss occasional donors whose blood is unfit for use. When this occurs and the unfit blood is mixed with otherwise usable blood, the entire batch must be discarded for transfusion purposes. Because of this problem, the present invention has been devised to attenuate any bacteria, virus (including the AIDS HIV virus) parasites and/or fungus contained in blood contributed by a donor to the point that any such contaminant is rendered ineffective for infecting a normally healthy human cell, but does not make the blood biologically unfit for use in humans. Similar problems exist with respect to treatment of other body fluids, such as amniotic fluids. The treatment method and system is also applicable to mammals other than humans.

Fig. 1

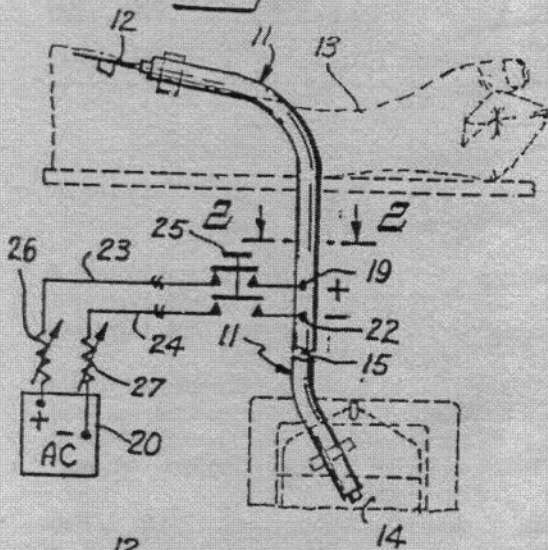


Fig. 6

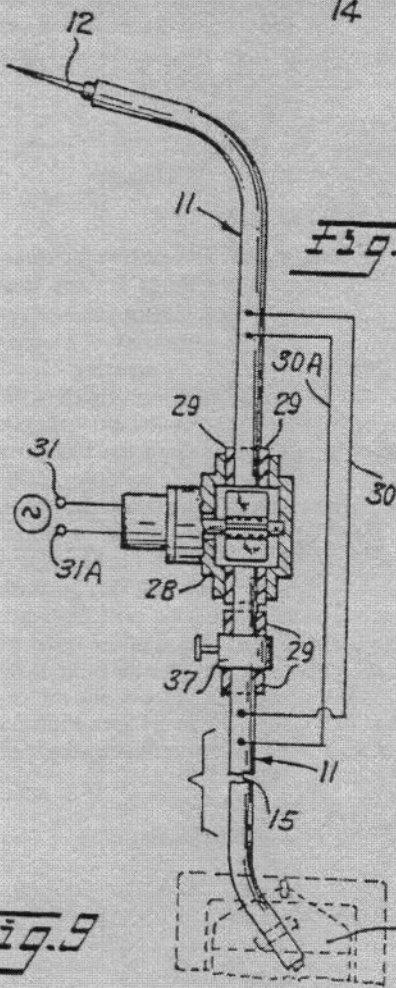


Fig. 9

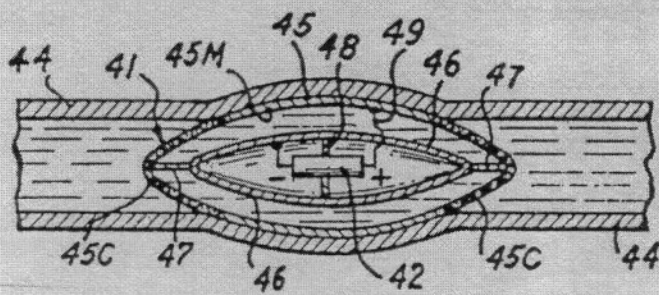


Fig. 8

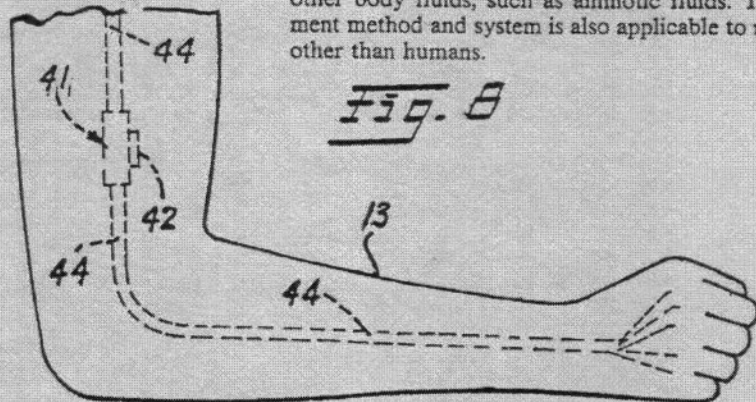
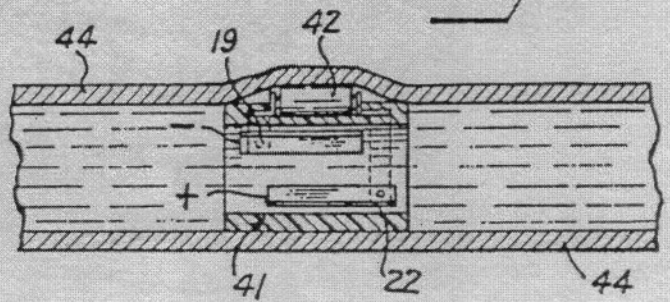


Fig. 10



A PROPOSED EXPERIMENTAL/THEORETICAL, NON-INVASIVE, NON-PHARMACEUTICAL, IN VIVO METHOD FOR POSSIBLE NEUTRALIZATION OF HIV VIRUS IN HUMAN SUBJECTS.

Revision March 1999. Copyright 1991/98 by Robert C. Beck, D.Sc.

In a remarkable and startling discovery at Albert Einstein College of Medicine, NYC in 1990, it was shown that a minute current (50-100 microamperes) can alter outer protein layers of HIV virus in a petri dish so as to prevent its later attachment to receptor sites. (*Science News*, March 30, 1991 pg. 207.) It may also reverse Epstein—Barr (chronic fatigue syndrome), hepatitis, Lupus, cancer and many others. HIV—positive users of this enclosed information may expect a dramatic reduction of symptoms after about 45 days. ***This is reminiscent of a well proven cure for snakebite by application of electric current that instantly neutralizes the venom's toxicity.*** (*Lancet*, July 26, 1986 pg. 229.) And there may be several other diseases as yet undiscovered or untested viruses neutralizable with this discovery; perhaps more surprisingly, even the common cold.

This very simple and valid blood clearing treatment proved of great promise as a positive method for immobilizing known strains of HIV still present and contaminating some European and US blood bank reserve supplies. It was further suggested that infected human HIV carriers *could recover* by removing their blood, treating it electrically and returning it by methods similar to dialysis or by surgically implanting electrode arrays with miniature batteries sewn inside blood vessels as described in US patent #5,188,738. Dr. S. Kaali, MD, projected that "years of testing will be in order before such an *in vitro* (blood removed for treatment) device can be made ready for widespread use." (*Longevity*, Dec. 1992, page 12.) This paper reveals an alternate do—yourself approach for electrifying/purifying blood *with no dialysis, implants, or medical intervention*. In the writer's opinion both blood and lymph can be cleared *in vivo* (which means blood isn't removed or skin ever penetrated) simply, rapidly and inexpensively with similar but *non—invative do—it-yourself techniques* described herein. All are fully

disclosed in this paper. Also included are proven schematics, parts lists, electrode construction and complete instructions. Electronic and controlled electroporation approaches may easily make vaccines, antibiotics and pharmaceuticals obsolete. In a public lecture (Oct. 19, 1991) the writer proposed this theoretical do—it—yourself method for eliminating HIV, parasites, fungi, viral and pathogens *in vivo*. Subsequently, his original modalities and protocols have been refined, simplified and made universally affordable. These three simple treatments used in tandem are offered for research purposes to determine the extent to which they nullify known electro-sensitive pathogens residing in blood, lymph, and other body tissue and fluids. Following is a summary of several years of testing with this non—iatrogenic, do—it-yourself, simple and inexpensive experimental solution to the ever—escalating "incurables" ***dilemma. There are no known side effects since milliampere currents applied to skin are much lower than those in FDA approved TENS, CES and muscle stimulators which have been in safe daily use for many years.*** Battery replacement costs are about \$10.00 per month per user or about 330 per day for a typical 30 day "spontaneous remission." No pharmaceuticals, shots, or medications appear necessary.

One compact battery—powered blood clearing instrument is basically a miniature relay driven by a timer chip set to —4 Hertz. Its 0 to 33V user adjustable biphasic output minimizes electrode site irritation. The described system delivers stimulation through normally circulating blood via electrodes placed at selected sites on wrist or arm. Optimum electrode positions are reliably located by feeling for strongest pulse (page 19.) Micro-current treatment is of such low amplitude that it creates no discomfort when used as directed and is demonstrated to have no harmful side effects on healthy blood cells or

tissue.

A major obstacle to this simple, proven and obvious solution is disbelief. Treating approximately 120 minutes per day for four to twelve weeks should in the writer's opinion effectively neutralize well over 95% of HIV plus any other electro-sensitive viruses, parasites, bacteria, pathogens or fungi in blood.

In heavy infections, shorter application times will prevent stressing patients with toxins. Simply treat for a greater number of days or also ingest ozonized water. In time, the restored immune system plus silver colloid may handle residual problems. In the special case of diabetically impaired circulation longer treatment times may be indicated. (See expanded instructions pages 22-23). Immobilized viruses may be expelled naturally through kidneys and liver. More rapid neutralization is possible but *not* recommended because of potential excessive toxin elimination (Herxheimer's syndrome.) T—cell counts usually drop initially because of lysing and scavenging by macrophages but should recover and increase after a few months. There is too much controversy around the PCR test and it has not been proven as a reliable measurement for HIV.

Latent/germinating HIV reservoirs in body's *lymph* or other tissues and glands may theoretically be neutralized with a second and separate device by the strategy of generating a very high intensity (~20 kilogauss) short duration (-10 uS) magnetic pulse of >~32 Joules by discharging a modified strobe light's capacitor through an applicator coil held against body locations over lymph nodes, thymus, kidneys, adenoids and other possible internal sites of latent infection (see page 43). By the physics of Eddy current/back e.m.f. "transformer action" (Lenz' law) the desired criteria of minimum current induced through infected tissue on the order of >100uA should be readily attained. Several pulses repeated at each site over several weeks may insure a reliable "overkill" for successful disease neutralization. A magnetic "pulser" is very simple to build. Full instructions are on page 41-42.

Subjects must assume responsibility for their own health. In today's society, we are conditioned to look for answers only to a medical establishment.

Unfortunately current medical practices have been

unable to cure so many illnesses today.

These "theoretical solutions" are being disclosed under constitutional freedom of speech guarantees. **Data is offered only as theoretical and no medical claims are made or implied.** "See your health professional!" Anyone at his discretion and assumed responsibility should be free to build, use (on himself) and network his "research" results. With this data, someone with a little knowledge of electronics should confidently be able to assemble *both* theoretical blood and tissue clearing modalities in about three hours. Components are widely available. After assembling, the only additional cost is for batteries. If electronically unskilled, "busy" or technically illiterate, call an "Amateur Radio Supply" store (yellow pages) or find a ham radio operator, hobbyist or TV repairman. After "spontaneous remissions" some users may wish to interest their doctors. But be advised that *electronic* cures may be vigorously suppressed or ignored because there is presently no credibility nor drug cartel profit in this inexpensive solution. Also the 1910 Rockefeller—Flexner Report attempted to discredit electro—medicine with intent to give pharmaceuticals a monopoly.

I'm definitely *not* soliciting funds. This was independently developed by me, Bob Beck, at my private expense and offered freely for "theoretical, informational, and educational purposes only" and with absolutely no profit motive.

Non-FDA approved devices are illegal to use within the USA except via little known FDA loopholes. *Researchers* are allowed to use *anything* on patients if safe, they build it themselves and don't sell them. (Code of Federal Regulations 21 § 807.65 subsections {d} & {f} . See actual text in footnote on page 21). Although we will offer technical updates and always welcome feedback from users, please respect the writer's privacy and never attempt to contact him for additional help, advice or information. *Everything* users need to know is included herein.

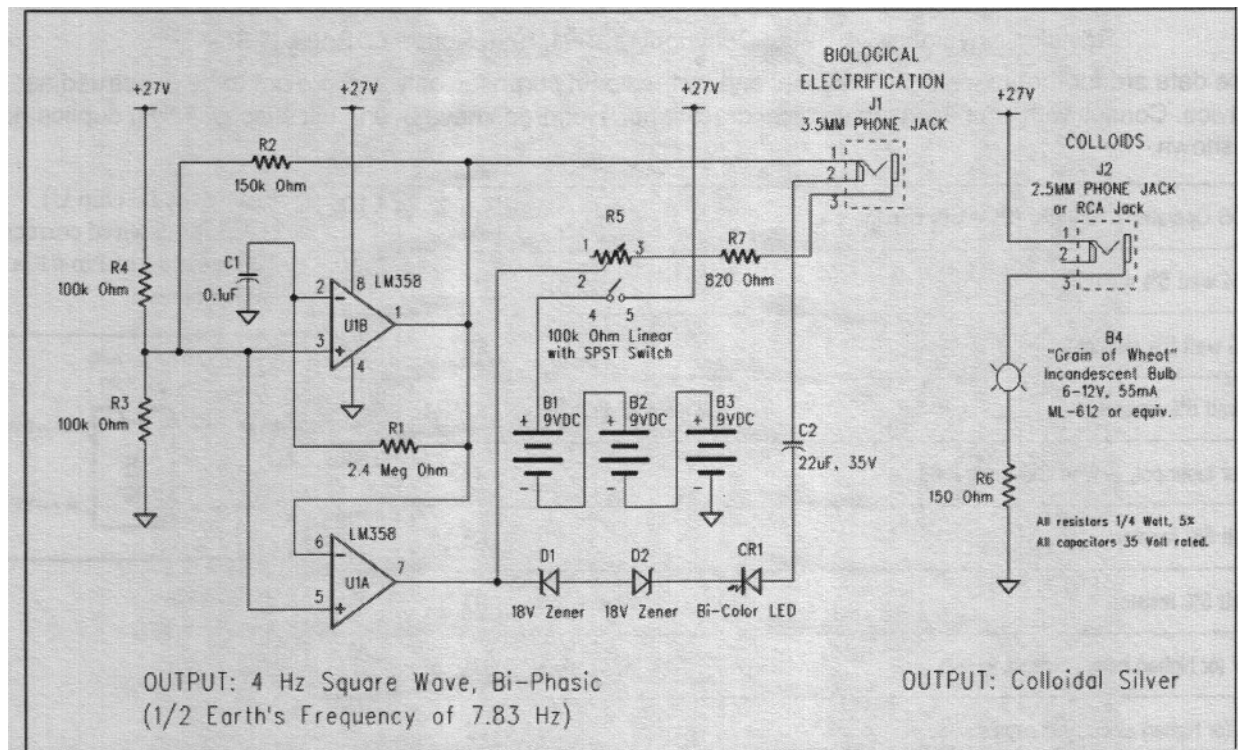
Feedback: SOTA Instruments Inc. gathers feedback from individuals and health practitioners on the use of The Beck Protocol.

1-800-224-0242 or 250-770-2023

Fax: 250-770-1999, www.sotainstruments.com

IMPROVED SCHEMATIC

This 11/24/1996 schematic describes a "Plant Growth Stimulator" improved since my 1991 design. User tested for over two years, it is solid state (no relays), uses three (not seven) batteries, makes colloids, is much smaller, lighter, silent, with battery saving features.



Copyright © 1996 Robert C Beck, D.Sc.

The first section (U1B) of the LM358 dual op amp is a 50 volt peak to peak square wave oscillator. The second section (U1A) reverses polarity and provides ± 27 Volts DC output of low impedance. This delivers a Bi-Phasic, sharp rise time output of 4 Hz (not critical) for the biological cotton covered stainless steel electrodes saturated with salt water before applying. Sharp rise time is considered necessary to provide higher odd harmonics to the stimulus, although "rounded" waveforms will feel different.

The third section is a current limited 27 Volts DC output from a separate RCA (or 2.5mm) jack for rapid generation of excellent colloidal silver in water. A three minute cycle in 8 Oz. of room temperature water makes a **ppm** concentration.

Op amp section U1B's 4 Hz oscillator frequency is set by C1 (0.1 uF) and R1 (2.4 meg W). It is configured as a comparator with hysteresis determined by R2 (150 kW). Charging and discharging of C1 is done by the 180° out-of phase signal through R1. R3 and R4 provide a set point 1/2 the V+ to the comparator. This insures a 50% duty cycle square wave with an amplitude of slightly less than the ± 27 Volt supply.

U1A, the *second comparator*, is used to invert the output of oscillator U1B. A ± 50 Volt peak to peak signal will be generated between the op amps due to their outputs being 180° out-of phase. U1A's current is limited by potentiometer R5 (100 kW) and R7 (820 W) and is set to individual user's comfort.

The *power indicator* circuit consists of a bicolor (red green) LED (CR1) and the series combination of two 18 Volt Zener diodes, D 1 & D2, with power limited by C2 (22 uF, 35 Volt). This section of the device is automatically disabled when the 3.5 mm plug is inserted into its jack. Therefore the LEDs flash only when batteries sum is over ± 21 Volts. If LEDs are dim or extinguished, replace with three fresh 9 Volt Alkaline batteries. C2 used as a limiter allows the LED to flicker on at 1/8 second intervals only as the square wave output reverses polarity.

Users find this newer design highly satisfactory, trouble free and most efficient.

IMPROVED SCHEMATIC - Parts List

PROPOSED THEORETICAL IN-VIVO BLOOD, HIV, PATHOGEN, PARASITE AND FUNGI NEUTRALIZING DEVICE

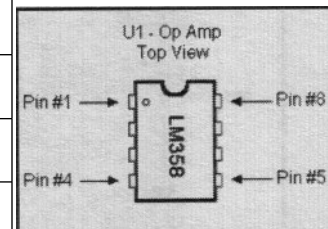
COMPONENT DESCRIPTIONS, SOURCES, AND CURRENT PRICES

Revision November 24, 1996. Copyright (c) 1991/1999 Robert C. Beck, D.Sc.

Note: These data are for theoretical, informational and instructional purposes only and are not to be construed as medical advice. Consult with your licensed medical practitioner. Hundreds have been built successfully if duplicated exactly as shown.

LM358 CMOS Operational Amplifier (OP-AMP) chip (generic)		U1	\$ 1.00
2.4 megohm 1/4 watt 5% resistor		R1	0.07
150 kohm 1/4 watt 5% resistor		R2	0.07
100 k ohm 1/4w 5% resistor	2 required @ 0.15	R3, R4	0.14
100 kohm linear taper pot, 1/2 watt Catronics P-68		R5	2.56
150 ohm 1/4 watt 5% resistor		R6	0.07
820 ohm 1/4 watt 5% resistor		R7	0.07
0.1 mF 50 V (or higher) ceramic capacitor		C1	0.45
22 mF 35 V (or higher) electrolytic capacitor		C2	0.25
18 Volt Zener diodes (NTE5027A)	% Watt, 2 @ 0.79	D1 & D2	1.58
Bulb, 6.3V 0.075 A	Type 7377	B1	1.34
Bicolor LED Red/Green	RS# 276-012	LED 1	\$ 1.19
Jack for electrode leads (3.5mm or 1/8" mono-phone jack)	RS# 274-251 3/\$1.59	J1	0.53
Jack for silver wire leads (2.5mm or 3/32" mono-phone jack)	RS# 274-292 3/\$1.59	J2	0.53
3 Alkaline 9 V batteries, type 1604 etc.	3 for		3.75
3 x 9 V battery snaps (clip-on connectors)	RS# 270-325 pkg.	5/\$1.29	1.29
Misc. wire, solder, etc.			0.50
Box, if used			2.29
Lead wire with 3.5 mm plug, 6 ft., Mouser or Calrad Electronics			0.35
Electrodes, stretch elastic, Velcro, cotton flannel, alligator clips, etc.			5.00
Total Cost for all components for improved do-it-yourself project			\$22.47

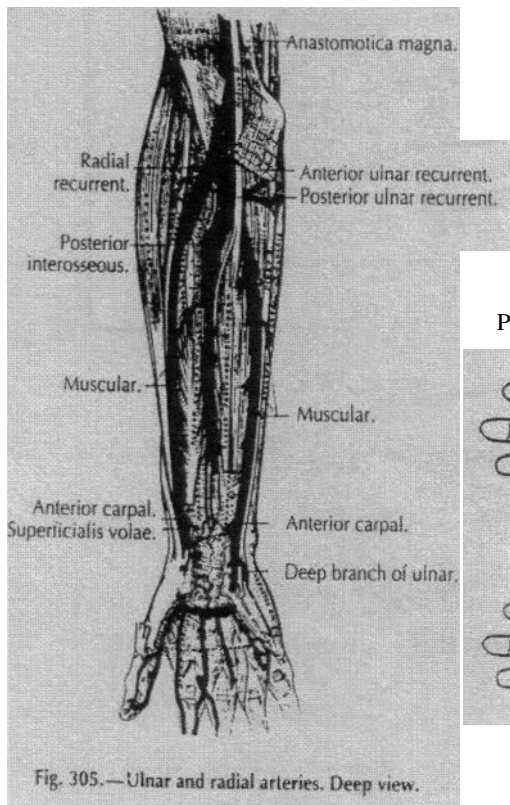
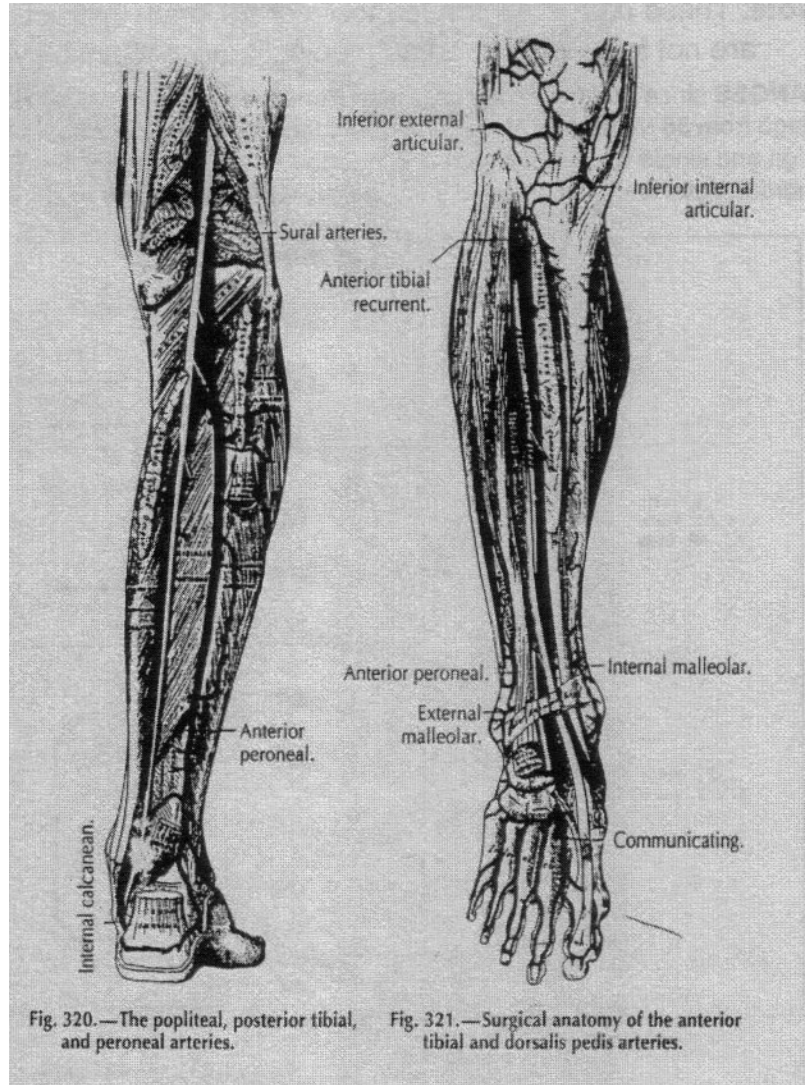
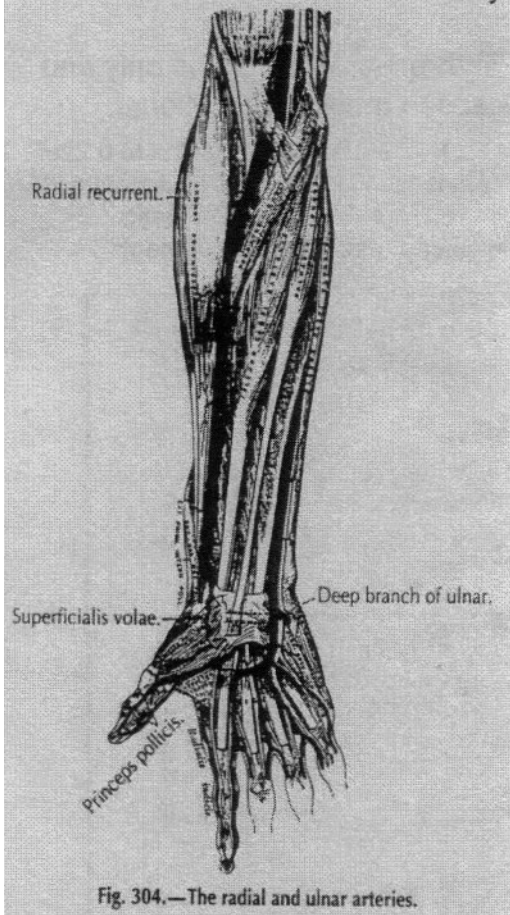
Ensure the IC chip U 1 (LM358) is wired correctly. The location of Pin #1 is shown below:



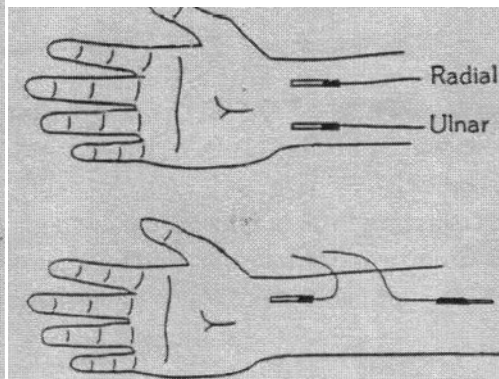
All components listed above check your local electronics store.

Map of Blood Vessels in Extremities for Optimum Electrode Access

Gray's Anatomy pgs. 540, 541, 584, 591



PLACEMENT OF PRO 5 (ELECTRODES): Over *Arteries* not blue veins.



Align Electrodes Parallel to Pulse and Directly Over Pulse Paths

The figure illustrates the hypothetical placement of the two electrodes on the same wrist. It's easier to place the electrodes first place the strap around the wrist and then insert the electrodes under the strap.

This figure illustrates the hypothetical placement of the electrodes on the same forearm and wrist. Position probes about 6" apart on same Artery

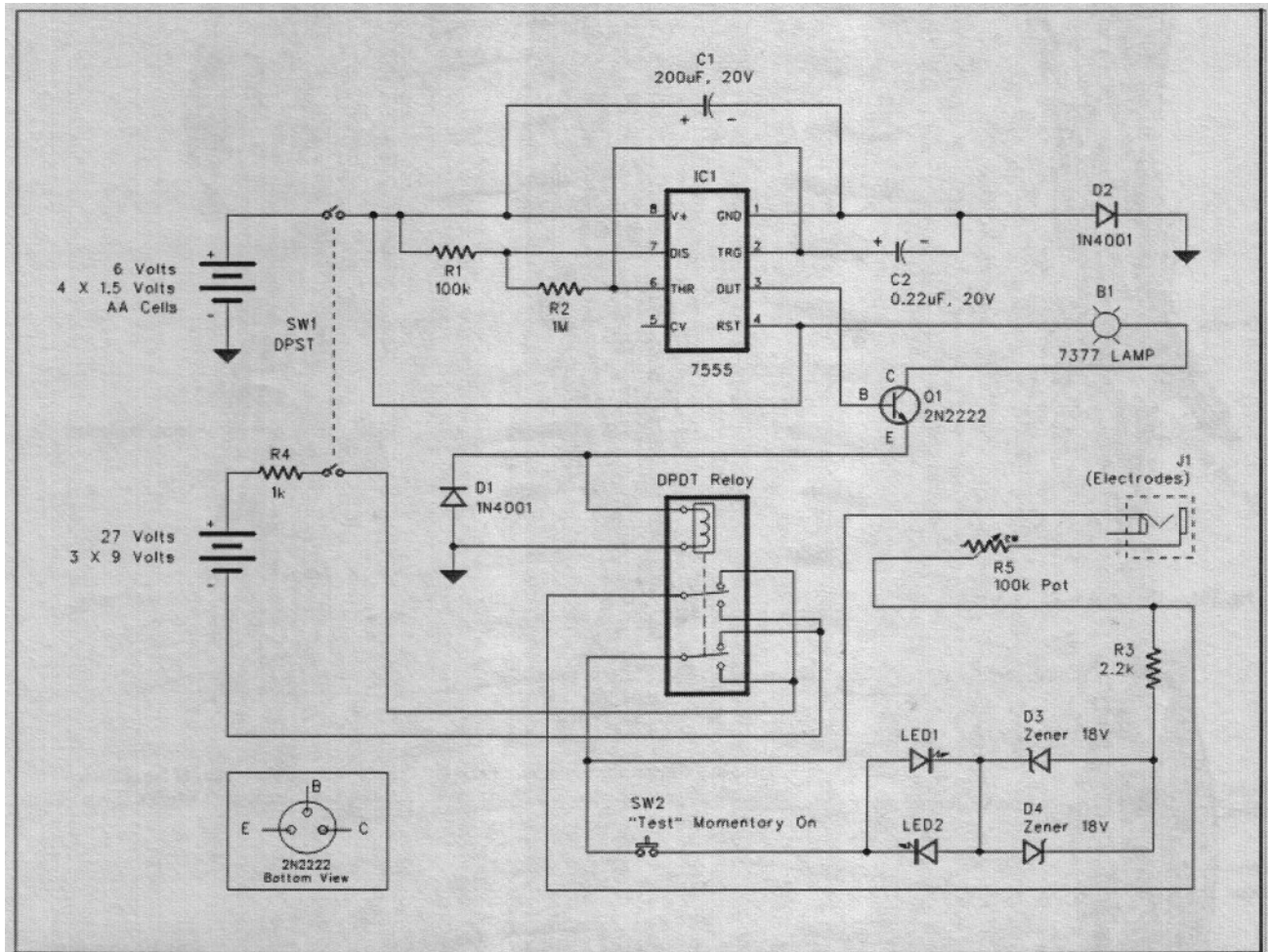
Choose from Two Wa^ys to Align Probes Parallel to Pulse

EXPERIMENTAL IN VIVO BLOOD CLEARING DEVICE FOR ELIMINATING VIRUSES, PATHOGENS, MICROBES, BACTERIA, FUNGI, AND PARASITES.

Revision March 16, 1996. Copyright a 1991/1999 Robert C. Beck

Note: These data are intended for informational, instructional, and research purposes only and are not to be construed as medical advice. Consult your licensed medical practitioner.

CHANGES since previous editions: Pulse Repetition Rate from 0.67 Hz to —4 Hz (Not critical). C2 from 1uf to 0.22uF. Voltage from 36 Volts to 27 Volts. Treatment time increased to 2 hours daily for at least 30 days. Improved electrode design and single wrist placement. SW2 added to extend battery life. There are NO "errors" in this schematic. Hundreds have been constructed successfully when duplicated exactly without user attempted "improvements".



SPECIAL PARTS

B1: Filament type incandescent bulb; 6.3V 0.075A type 7377 (Ballast and current limiter).

Relay: 5V 50 ohm coil, PCB mount DPDT; Selecta Switch SR15P207D1.

D3 & D4: Zener Diodes, 18V 1/2 Watt; NTE 5027A.

R5: 100 kohm 1/2 Watt linear potentiometer; Caltronics P-68 or equivalent.

LED1 & 2: Combined as Bi-Color Red & Green in same housing; Radio Shack #276-012

SW2: "Test" SPST Momentary ON subminiature Push-Button; Radio Shack #275-1571

PROPOSED THEORETICAL IN-VIVO BLOOD, HIV, PATHOGEN, PARASITE AND FUNGI NEUTRALIZING DEVICE

COMPONENT DESCRIPTIONS, SOURCES, AND CURRENT PRICES

Revision March 13, 1996. Copyright © 1991/1999 Robert C. Beck, D.Sc.

Note: These data are for theoretical, informational and instructional purposes only and are not to be construed as medical advice. Consult with your licensed medical practitioner. Hundreds have been built successfully if duplicated exactly as shown.

This design is basically a 7555 IC timer chip set for 50% duty cycle and -3.9 Hz. driving a sub-miniature relay. Electrode polarity continually reverses -1/4 second positive / 1/4 second negative. Frequency is not critical.

7555 CMOS timer chip (generic)		ICI	\$ 1.80
100 k ohm 1/4 watt 5% resistor		R1	0.07
1 meg ohm 1/4 watt 5% resistor		R2	0.07
2.2 k ohm 1/4 watt 5% resistor		R3	0.07
1 kohm 1/4 watt 5% resistor		R4	0.07
100 k W linear taper pot, 1/2 watt Caltronics P-68		R5	2.56
200 mF 20 V (or higher) electrolytic capacitor		C1	0.45
0.22 mF 20 V (or higher) Tantalum capacitor		C2	0.25
1N4001 diode	2 required @ 0.15	D1 & D2	0.30
18 Volt Zener diodes (NTE5027A)	1/2 Watt, 2 @ 0.79	D3 & D4	1.58
NPN Transistor	Generic 2N2222	Q1	0.30
Bulb, 6.3V 0.075 A	Type 7377	B1	1.34
Relay, 5 V 50W coil PCB Mount DPDT Selecta Switch	SR15P207D1		5.45
Misc. wire, solder, etc.			0.50
Bicolor LED Red/Green Radio Shack #276-012		LED 1	\$ 1.19
Jack for electrode leads	274-251 3/\$1.59	J1	0.53
DPDT switch, 275-626 or equiv. (used as DPST)		SW1	2.55
SPST Subminiature momentary ON push button switch ER-SW101 "Test"		SW2	0.59
Battery holder, 4-AA cells, Radio Shack	270-383		1.29
4 Alkaline M cell batteries, #23-552	4 for		2.89
3 Alkaline 9 V batteries, type 1604 etc.	3 for		3.75
3 x 9 V battery snaps (clip-on connectors)	270-325 pkg.	5/\$1.29	1.29
Box, if used			2.29
Lead wire with 3.5 mm plug, 6 ft., Mouser or Calrad Electronics			0.35
Electrodes, stretch elastic, Velcro, cotton flannel, alligator clips, etc.			5.00
Custom printed circuit board #PS-PCB:			15.00
Total Cost for all components for do-it-yourself project			\$49.24

EXPANDED INSTRUCTIONS FOR EXPERIMENTAL/THEORETICAL BLOOD ELECTRIFICATION *HYPOTHETICAL PROTOCOLS FOR EXPERIMENTAL SESSIONS*

Revision January 15, 1997. Copyright © 1991/1998 Robert C. Beck, D.Sc.

PRECAUTIONS: Do NOT use wrist-to-wrist with subjects using cardiac pacemakers. Any electrical signals may interfere with "demand" type heart pacers and cause malfunction. Single wrist/forearm locations should be acceptable. Do NOT use on pregnant women, while driving or using hazardous machinery.

Users MUST avoid ingesting anything containing potentially toxic medications, nicotine, alcohol, recreational drugs, laxatives, for several days before starting because blood electrification can cause electroporation which makes cell membranes pervious to small quantities of normally harmless chemicals in plasma. The effect is the same as overdosing. See Electroporation: a General Phenomenon for Manipulating Cells and Tissues J.C. Weaver, Journal of Cellular Biochemistry 51: 426-435 (1993.) The blood purifier can cause electroporation. Avoid ingesting alcohol 24 hours before using and keep in mind that high potency, synthetic vitamins as well as junk foods can be a problem when magnified.

Do NOT place electrodes over skin lesions, abrasions, new scars, cuts, eruptions, or sunburn. Do NOT advance output amplitude to uncomfortable levels. All subjects will vary. Never put bare metal on skin. The magnetic pulser should be safe to use anywhere on body or head. Drink an 8 oz. glass of filtered or preferably ozonated water 15 minutes before and immediately following each session and drink at least four additional glasses daily for flushing during "neutralization" and for one week thereafter. This is imperative. Ignoring this can cause systemic damage from unflushed toxic wastes. *When absolutely essential drugs must be ingested, do so a few minutes after electrification then wait 24 hours before next session.*

If subject feels sluggish, faint, dizzy, itchy, headachy, light-headed or giddy, nauseous, bloated or has flu-like symptoms or rashes after exposures, reduce pulsing per session and/or shorten applications of electrification. Drink more water—preferably ozonized—to speed waste oxidation and disposal. Use extreme caution when treating patients with impaired kidney or liver function. Start slowly at first, about 20 minutes per day to reduce detoxification problems.

To avoid shock liability, use only batteries with blood cleaner. Do NOT use any line-connected power supply, etc. with blood electrification device. However a.c. supplies are OK with well-insulated magnetic pulse generators (strobe lights.)

Health professionals: Tobacco, the most damaging (4 1/2 times more addictive than heroin) and deadly substance of abuse known, disrupts normal cardiovascular function. True vegetarian diets are missing several essential amino acids absolutely necessary for the successful rebuilding of AIDS-ravaged tissues. Secondary gains and hidden agendas (sympathy/martyrdom, work avoidance, free benefits, financial assistance, etc.) can play large roles with many seriously ill patients.

SUPERIOR ELECTRODES: Excellent, convenient and vastly superior electrodes, reusable indefinitely, can be user-made by butt-soldering connecting wires to ends of 1-1/8" long by 3/32" dia. blanks cut from type 316 stainless steel rods available from welding supply stores (Cameron Welding Supply, 11061 Dale Ave., Stanton, CA 90680.) Use "Stay Clean" flux before soldering (zinc chloride/hydrochloric acid.) Shrink-insulate TWO tight telescoping layers of 3/8" long shrink tubing over soldered joints to prevent flexing/breaking and lead/copper ions from migrating.

PREPARATION FOR USE: Wrap three or four turns of 100% cotton flannel around rods. Spiral-wrap with strong thread starting from wire side to end. Tightly pinch cloth over rod's end so as to leave no metal exposed by wrapping 6 or 7 turns of thread TIGHTLY just off end of rod, then spiral wrap back to start and tie with four knots then cut off excess cloth at end close to pinch-wraps. Treat end and knots with Fray Check® (fabric & sewing supply stores) to prevent raveling. Saturate before each use in a solution of sea salt (not table salt). Add a few drops of Colloidal Silver for disinfectant. Store for reuse. Tape soaking wet electrodes tightly over arterial pulse sites with paper masking, Transpore™ or Micropore® tape or make 1" wide stretch elastic bands with tabs of Velcro® at ends to fasten. Electrodes should closely conform precisely along blood vessels, not skewing ever so slightly over to adjacent flesh. This insures better electrical conductivity paths to circulating blood and insures very low skin impedance. (-2000Q) Rinse and blot-dry electrodes and skin after each use. NEVER allow bare metal to touch skin as this will cause burns manifested as small red craters that heal slowly. The objective is to get maximum current into blood vessels, not leak it over to adjacent tissue. Therefore never use any electrode with cotton cover wider than about 1/8 inch.

ELECTRODE PLACEMENTS: Locate blood vessel paths (*NOT* to be confused with acupuncture, Chapman or pressure points) on either wrist (Ulnar to Radial) or else

wrist to forearm by feeling for maximum pulses. Scrub skin over chosen sites with mild soap and water. Position each electrode lengthwise precisely along same branch of Radial artery. A 7" long, 1" wide elastic stretch-band with two 1-1/4" lengths of 3/4" wide Velcro® sewn to ends of opposite sides makes an excellent wrist band for holding electrode snugly in place. Place wet electrodes between ulnar and radial pulse points on opposite sides on inside of *same* wrist. Then with electrode cable unplugged, turn switch ON and advance amplitude control to *maximum*. On original blood electrifier design, push momentary SW 2 "test" switch and see that the red and green light emitting diodes flash alternately. This verifies that polarity is reversing -4 times per second (frequency in NOT critical) and that batteries are still good. When LED's don't light, replace all three 9V alkaline batteries. When the white incandescent bulb dims or appears yellowish, or relay isn't clicking, replace all four AA cells. Zener diodes will extinguish LED's when the three 9V battery's initial 27V drops below -20V after extended use. Never use any electrode larger than 1-1/8" long by 1/8" wide to avoid dissipating current through surrounding tissue. Confine exactly over blood vessels. Apply drops of salt water to each electrode's cotton cover as needed to keep cotton covers damp and insure optimum current flow. Later devices are solid-state, use only one battery and no relays, and are much smaller. Electrify blood 2 hours daily for 4 weeks or longer as indicated. (See diagram on page 19.)

SETTING VOLTAGE: Now rotate amplitude control to *minimum* (counter-clockwise) and plug in electrode cable. Advance dial slowly until feeling a "thumping" and tingling. Turn as high as tolerable but don't advance amplitude to where it is uncomfortable. Adjust voltage periodically when acclimatizing to comfort level after several minutes. It is normal to feel different sensations with time. You may notice little or no sensation at full amplitude immediately, but feeling will begin building up to maximum after several minutes at which time amplitude can be decreased. Typical adapted electrode-to-electrode tissue impedance is on the order of 2000 Ohm. Typical comfortable input (to skin) is ~3mA, and maximum tolerable input (full amplitude) is ~7mA. However, this "reserve" margin although harmless is unnecessary and can be uncomfortable. Current flowing through blood is much lower than this *external* input because of series resistances through skin, tissue and blood vessel walls, but 50 to 100uA through blood is essential.

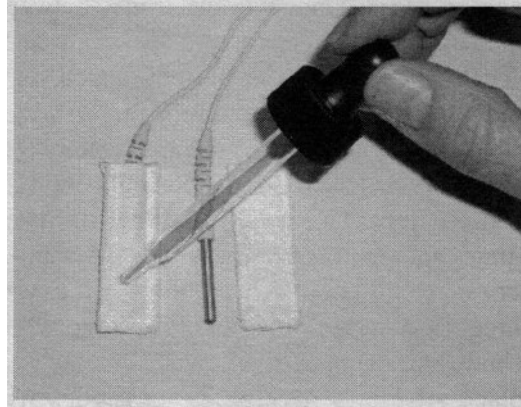
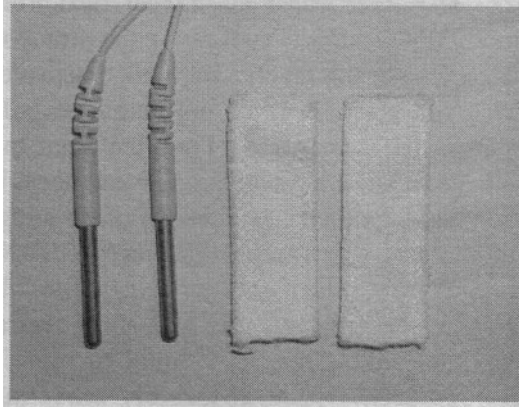
FREQUENCY OF USE: Apply blood electrifier for about two hours daily for at least 1 to 3 months. Use judgment here. The limiting factor is detoxification. Carefully monitor subject's reactions (discomfort, catarrh, skin

eruptions, weeping exudites, rashes, boils, carbuncles, coated tongue, etc.) With very heavy infections, go slower so as not to overload body's toxic disposal capability. Drinking ozone-bubbled water oxidizes wastes and speeds detoxification. With circulation-impaired diabetics, etc., you may wish to *extend* session times. Again, have subjects drink lots of water. Recent changes in theoretical protocol being currently tested suggest continuing the protocol for several weeks. One health practitioner with extensive use of both the blood electrification and magnetic pulsing devices reported to Sharing Health From the Heart Inc. to suggest prolonged use to ensure the stronger pathogens have been neutralized. He points out the danger of stopping too soon if only the weaker pathogens have been dealt with. He has suggested building up to using the blood electrification device for 6 days continuously to neutralize the longest-lived pathogens. Remember to remoisten electrodes regularly. If you absolutely *must* ingest prescription drugs, do so immediately *after* turning off instrument and allow 24 hours before next treatment to let chemical concentrations in blood plasma decay to lower levels.

Remember, if subjects ever feel sleepy, sluggish, listless, nauseous, faint, bloated or headachy, or have flu-like reactions, they may be neglecting sufficient water intake for adequately flushing toxins. We interpret this as detoxification plus endorphin release due to electrification. Let them rest and stabilize for -45 minutes before driving if indicated. If this detoxing becomes oppressive, treat every *second* day. Treatments are shown to safely neutralize viruses, fungi, bacteria, parasites and microbes in blood. See US patents #5,188,738, 5,091,152, 5,139,684, 5,328,451, 3,753,886, 4,524,079, 4,665,898 and others as well as numerous valid medical studies which are presently little known or suppressed.

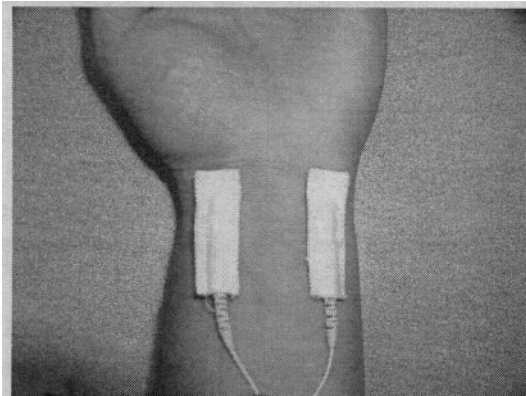
SILVER COLLOID: Also, ingesting a few oz. of -5 parts per million silver colloid/silver ion solution daily can give subjects a "second intact immune system" and minimize or eliminate opportunistic infections during recovery phase. This miracle substance is pre-1938 technology, and unlike ozone is considered immune from FDA harassment. Silver colloid can *easily* be made at home electrolytically in minutes and in any desired quantities and parts per million strength for under 10 per gallon plus cost of water. It is ridiculous to purchase it for high prices. Unlike silver proteins, metallic colloid has no side effects. Silver colloids won't produce drug resistant strains as will all other known antibiotics. No reasonable amount can overdose or injure users either topically, by ingesting, or professional medical injection. Refer to page 31 for complete instructions on successfully making your own.

Preparation to Use the Electrodes for Blood Electrification

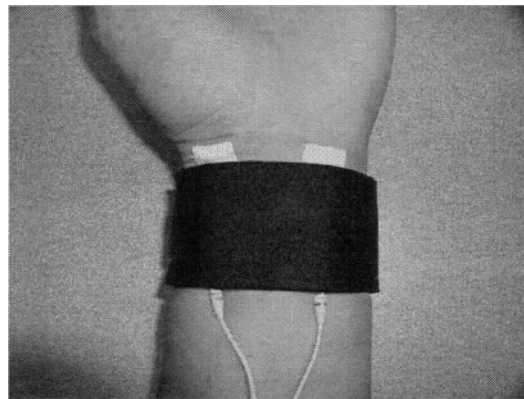


Step 1: Prepare cotton sleeves or cotton covers for the electrodes.

Step 2: Place the cotton sleeves over the electrodes. A dropper bottle is a handy way to wet the cotton and to keep the covers damp during use.



Step 3: Place the covered electrodes directly over the two arteries on the wrist: the radial and ulnar arteries.



Step 4: Hold the electrodes in place with a wrist strap. This one is made of waterproof neoprene with velcro to hold it firm.

Ensure the wrist strap does not get wet between the electrodes. If it does the current will travel between the two electrodes rather than through the skin to the arteries.

Total Cancer Remissions through Blood Electrification combined with Silver Colloid Theories Offered for Information and Educational Purposes Only and are the Author's Opinions

Copyright © 1996 Robert C. Beck, D.Sc. re Re-issued May, 1998

Opinions expressed in this article are based on the author's first hand experience and do not necessarily reflect those of this publication. [Also published in *Explore!* Magazine]

My archives contain a tantalizing report from several decades ago describing an authenticated record of an older man who was struck by lightning, survived, and subsequently grew a third set of teeth and a bushy head of youthful new dark hair. His grossly metastasized, inoperable cancers vanished. He threw away his glasses and cane, and appeared much younger and was totally healthy for the first time ever. This fascinated scientists and years later almost encouraged some highly illegal and bizarre human experiments in an abandoned aircraft hangar in Wendover, Utah where Tesla coil research with ball lightning was underway. The incident generated wide speculation, but few insights at the time. This mystery remained sleeping until 1990 when an astounding discovery was reported at Albert Einstein college of Medicine in NYC by Drs. Kaali and Lyman. Not surprisingly, the revolutionary data were apparently immediately suppressed (See *Science News*: Mar. 30, 1991 pg. 207; and *Longevity*: Dec. 1992 pg. 12.)

As a totally unexpected and unpredictable outcome of the writer's self-funded research into "blood electrification" with micro currents for AIDS (currently showing excellent results), a growing number of users previously unknown to me began independently reporting "spontaneous remissions" of numerous *other* diseases **including cancer**. Most involved no doctors, medication, or time off. Recoveries occurred after subjects had self-administered an altered do-it-yourself blood treatment process first described in US Patent #5,188,738 issued to Dr. Steven Kaali in '93. We were puzzled to find explanations as to why this worked. This preliminary report offers a possible theory. Magnetic pulsing success with cancer were independently proven again in 1984 and described in US Patent #4,665,898 plus many other patents dating back to 1890! The Einstein disclosure describes removing blood from one arm, electrifying it, and returning it to the other arm in a process similar to dialysis. It also describes surgically implanted active electrode chambers containing miniature batteries sewn inside blood vessels. This author's preferred approach leaves all blood in the body, is totally non-invasive, costs practically nothing and is safely accomplished in about a month with –two hours per day exposures as one goes about his normal activities. It handles pathogens while blood flows normally through the –60cc volume of the electrified forearm's ulnar branch artery from wrist to elbow. Without medications, invasive techniques or doctors, most pathogens, viruses, microbes, parasites and fungi just tend to disappear. Progress can be readily

observed in blood with dark-field and phase-contrast microscopy. The entire process and simple apparatus with parts list is fully described in my '91 paper reprinted in recent issues of *Explore!* (Vol.7 #1) and in this paper. Also simple instructions for self-made silver colloids of far better quality than you can usually buy are given in Vol. 7, #2 of *Explore!* also *Explore More*, Issue #15. Back issues: Box 11510, Prescott, AZ, 86303, 928-541-1920. You can turn any glass of tap water into a 3 ppm ionic electrolytic silver colloid in about two minutes anywhere with a shirt pocket instrument by simply running 27V (three 9V transistor radio batteries) between two short lengths of pure silver (never "Sterling") wires submerged in water. To date many "spontaneous remissions" of dozens of "incurable" illnesses including HIV have been reported by users and researchers of this "blood purification" when combined with ingestion of pennies-per-gallon instantly self-made ionic silver colloid plus magnetic pulsation and ozonized drinking water. Since none of dozens of friends using these apparent miracles has experienced infections, colds, flu, pneumonia, or lost a single day's productivity in over three years, evidence strongly suggests restored immune systems or dramatically improved blood functioning. It is also fascinating to note that several pet owners report their cats now refuse to drink water if silver colloid is not added. Trips to veterinarians with previously recurring infections were cut dramatically. It is as though the Creator had left a secret "back door" method for mankind to finally conquer the adversary - incurable diseases plaguing us since the beginning of time. To avoid legalities, these data are being offered under first amendment freedom of speech rights and should not be construed as medical advice.

It has long been known that dissections of cadavers dying of natural causes reveal many have had cancer several times during their lifetime resulting in "spontaneous remissions" generally without their knowledge and without ever visiting a doctor. An optimally functioning immune system somehow automatically "handles" diseases of which the subject seldom becomes aware. Several promising broad-spectrum natural immunological agents like interferon and interleukin are produced by healthy immune systems but would cost thousands for patients with already overloaded or "shut down" defenses although many such neuropeptides could speed cures. Other respected researchers describe "pleomorphic" forms of cancer pathogens which evolve through several stages—even mycotoxin involvement—all of which surrender to blood electrification. For persons